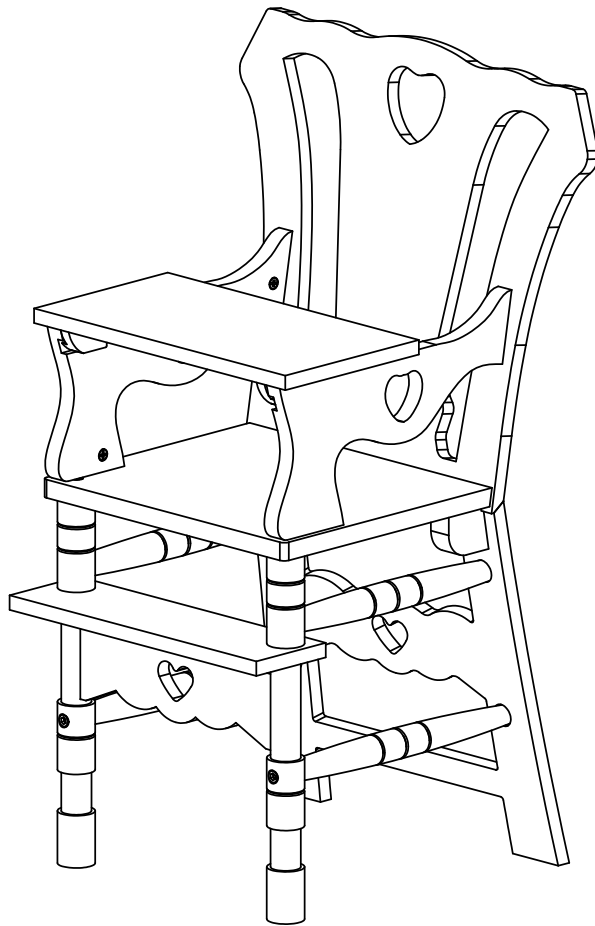
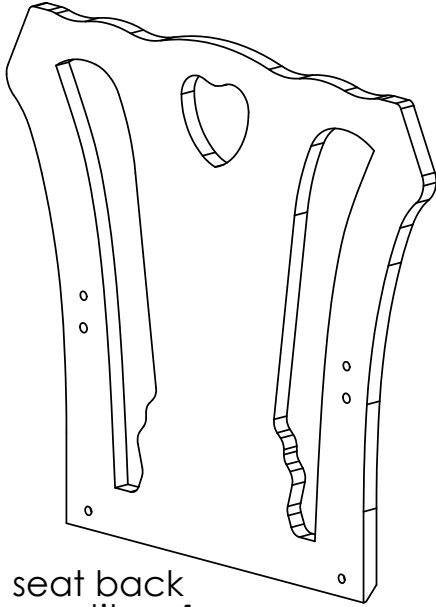


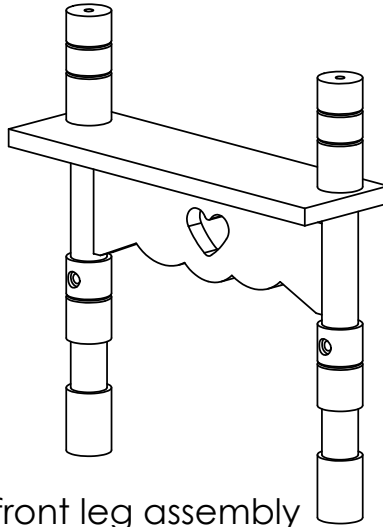
#788 Wooden Doll High Chair Assembly Instructions



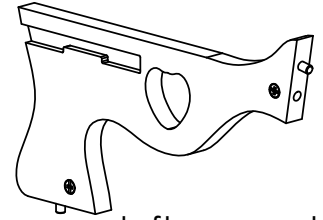
High chair assembly components



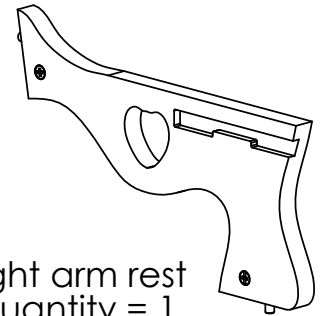
seat back
quantity = 1



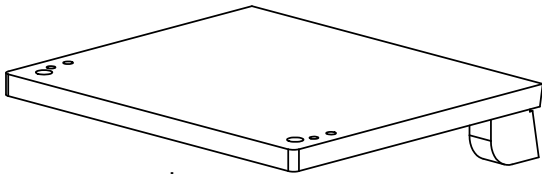
front leg assembly
quantity = 1



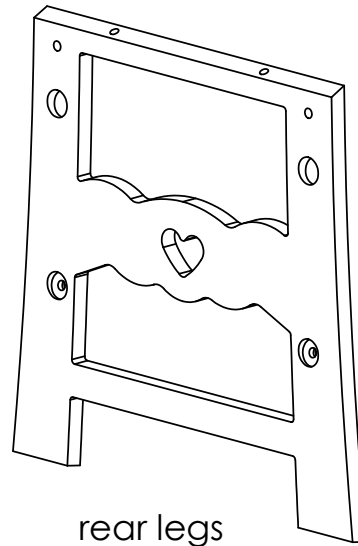
left arm rest
quantity = 1



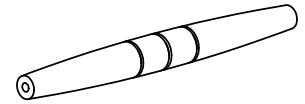
right arm rest
quantity = 1



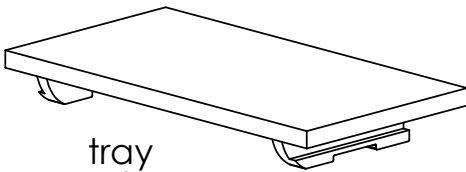
seat
quantity = 1



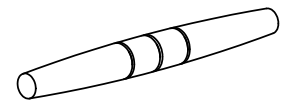
rear legs
quantity = 1



long leg spindle
quantity = 2



tray
quantity = 1

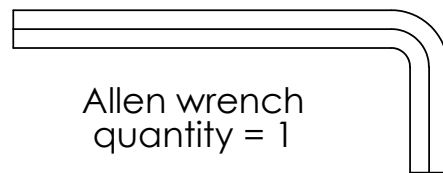


short leg spindle
quantity = 2

Hardware (shown at approximate size)

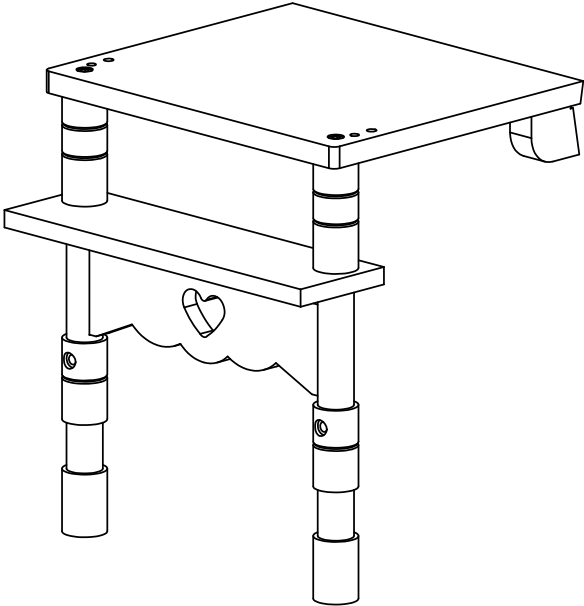
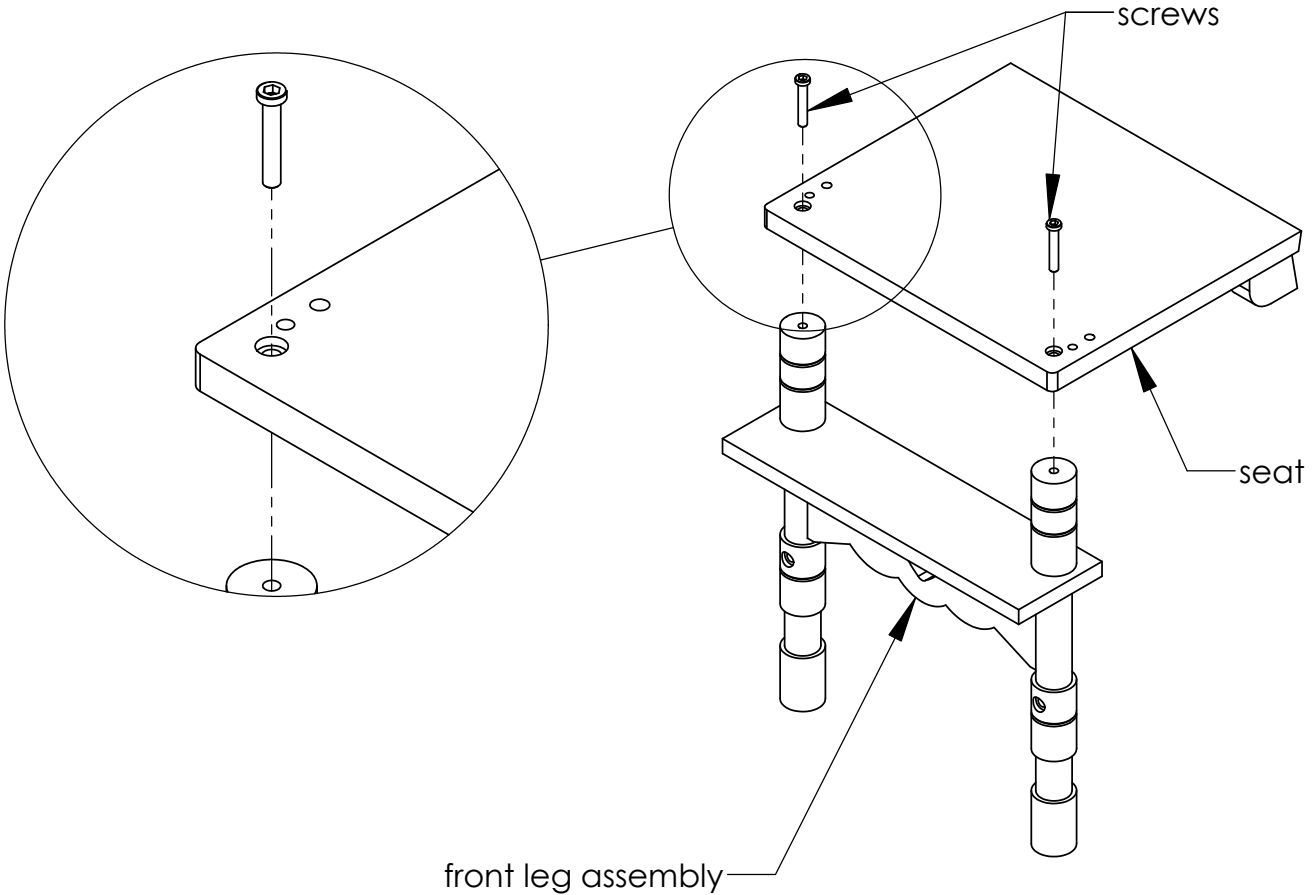


M6 x 35 screw
quantity = 12

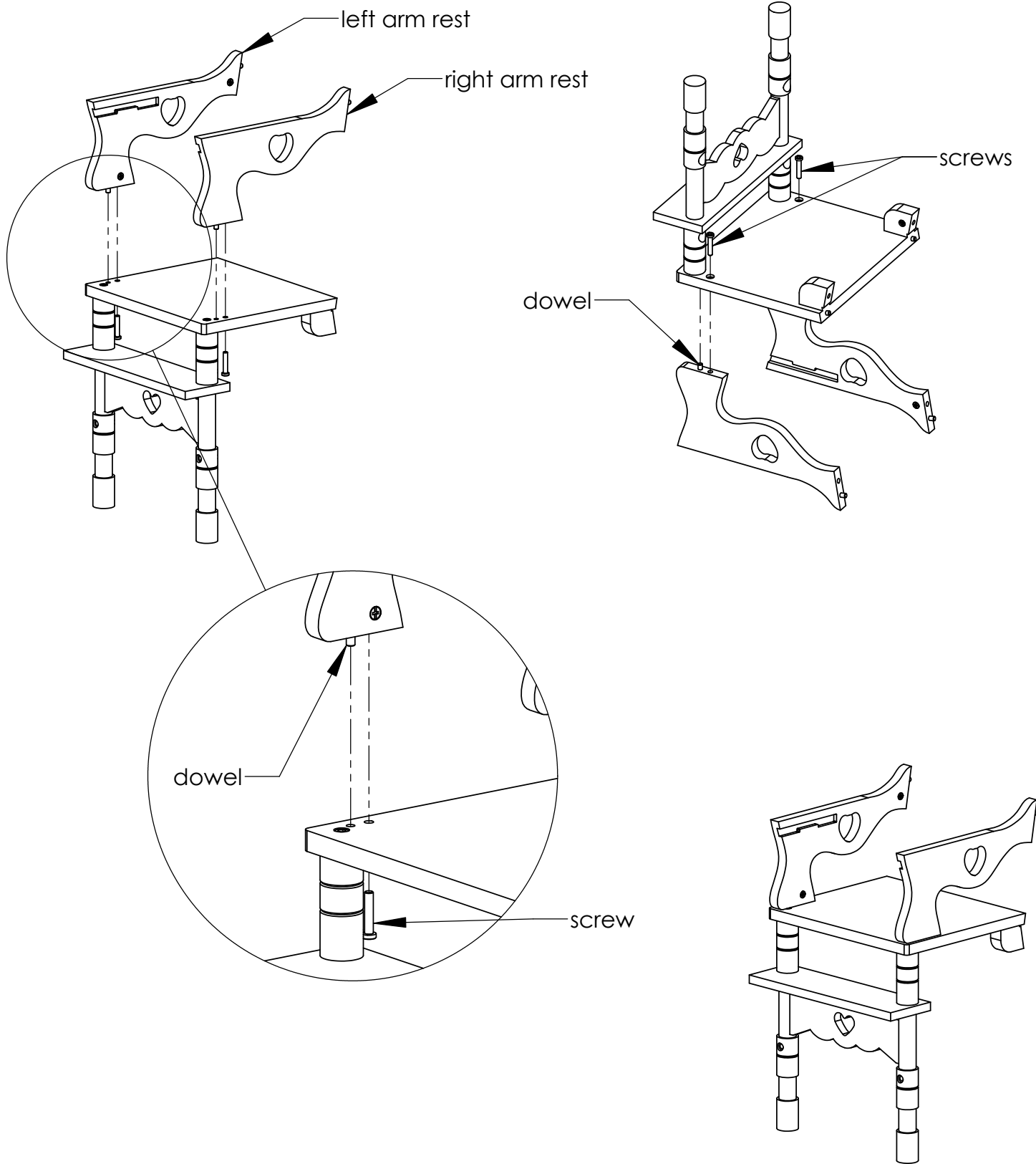


Allen wrench
quantity = 1

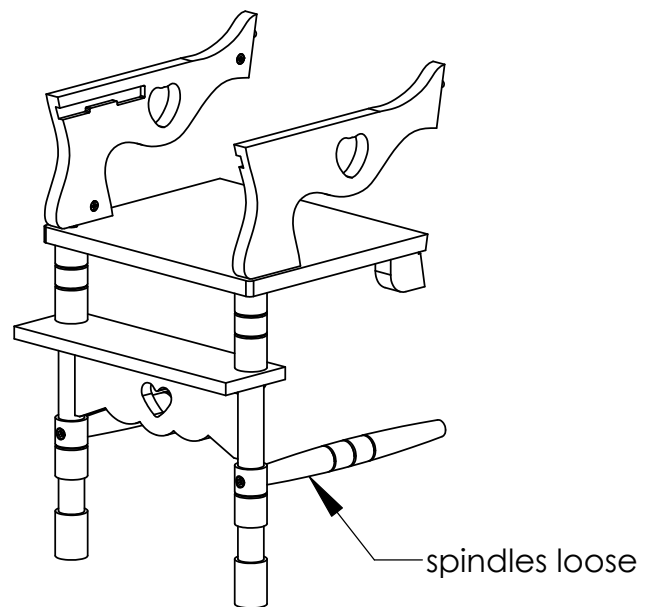
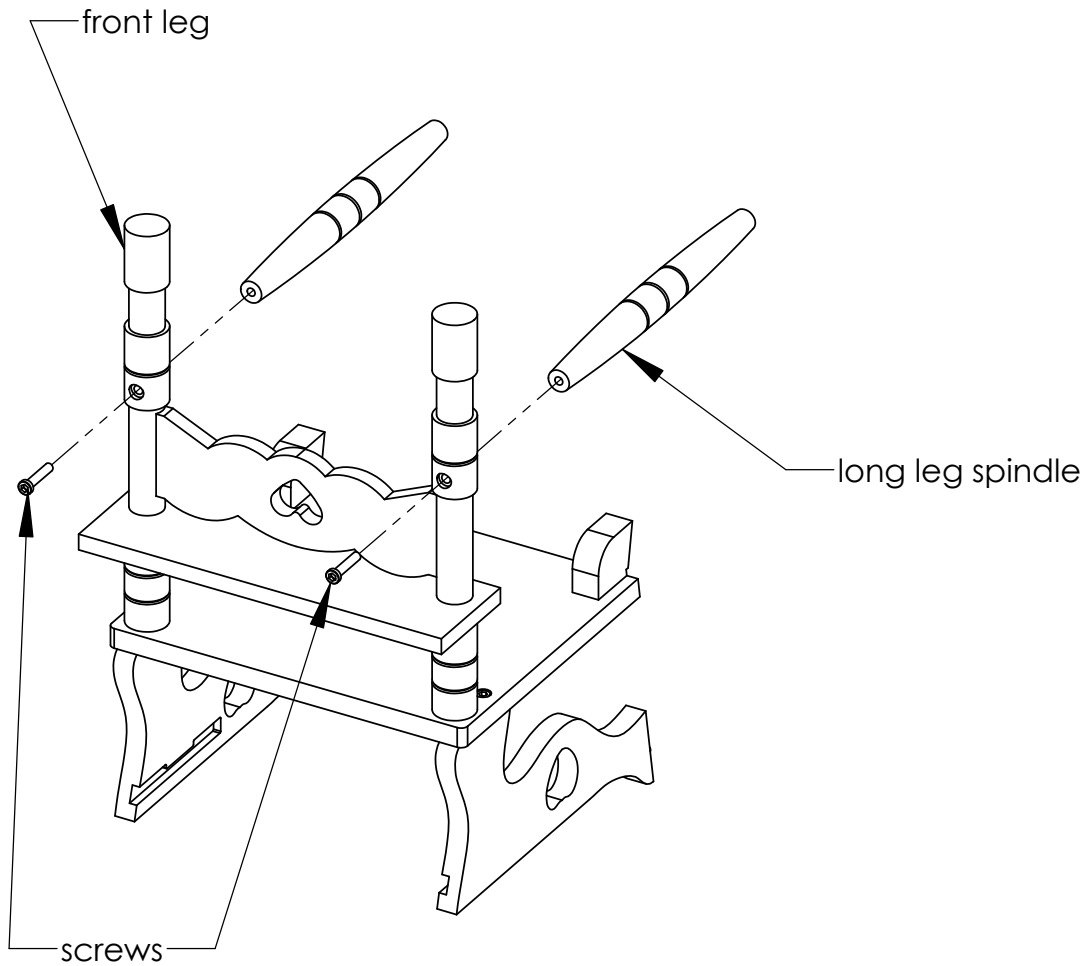
Step 1: Attach the front leg assembly to the bottom front of the seat with two screws from the top of seat. Secure the screws with the Allen wrench.



Step 2: Attach the left and right arm rests to the top of the seat by attaching a screw through the bottom of the seat into the bottom front of each arm rest. It may be easier to turn the chair assembly upside down when tightening each screw. Make sure to insert the wooden dowel in the bottom of each arm rest into the corresponding hole in the top of seat before fully tightening the screw.

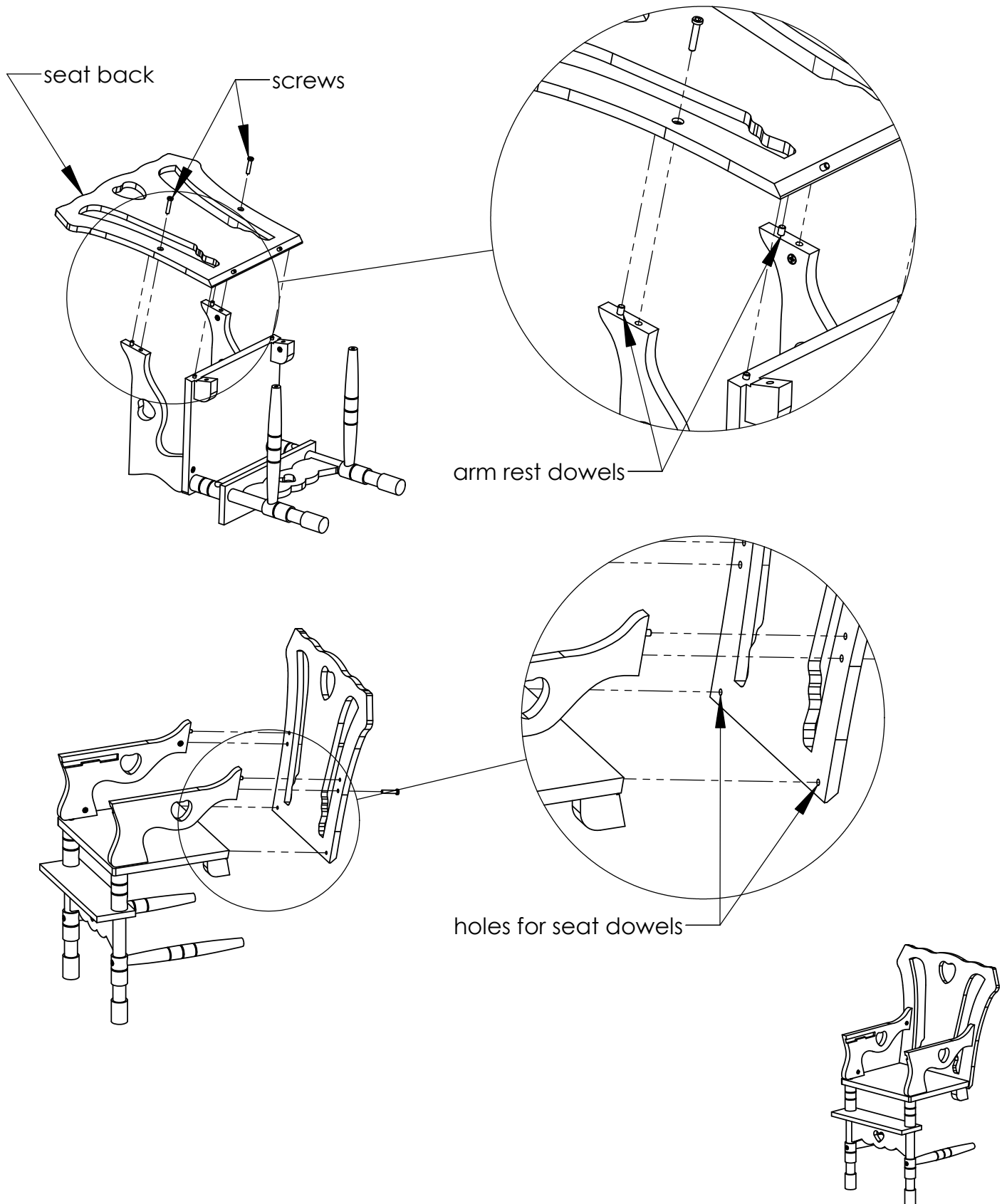


Step 3: Attach a long leg spindle to each of the front legs by inserting a screw through the front of each leg into the end of each spindle. Hand tighten the screws only. They need to **remain loose** to complete the assembly. You will fully tighten the two screws in a later step.

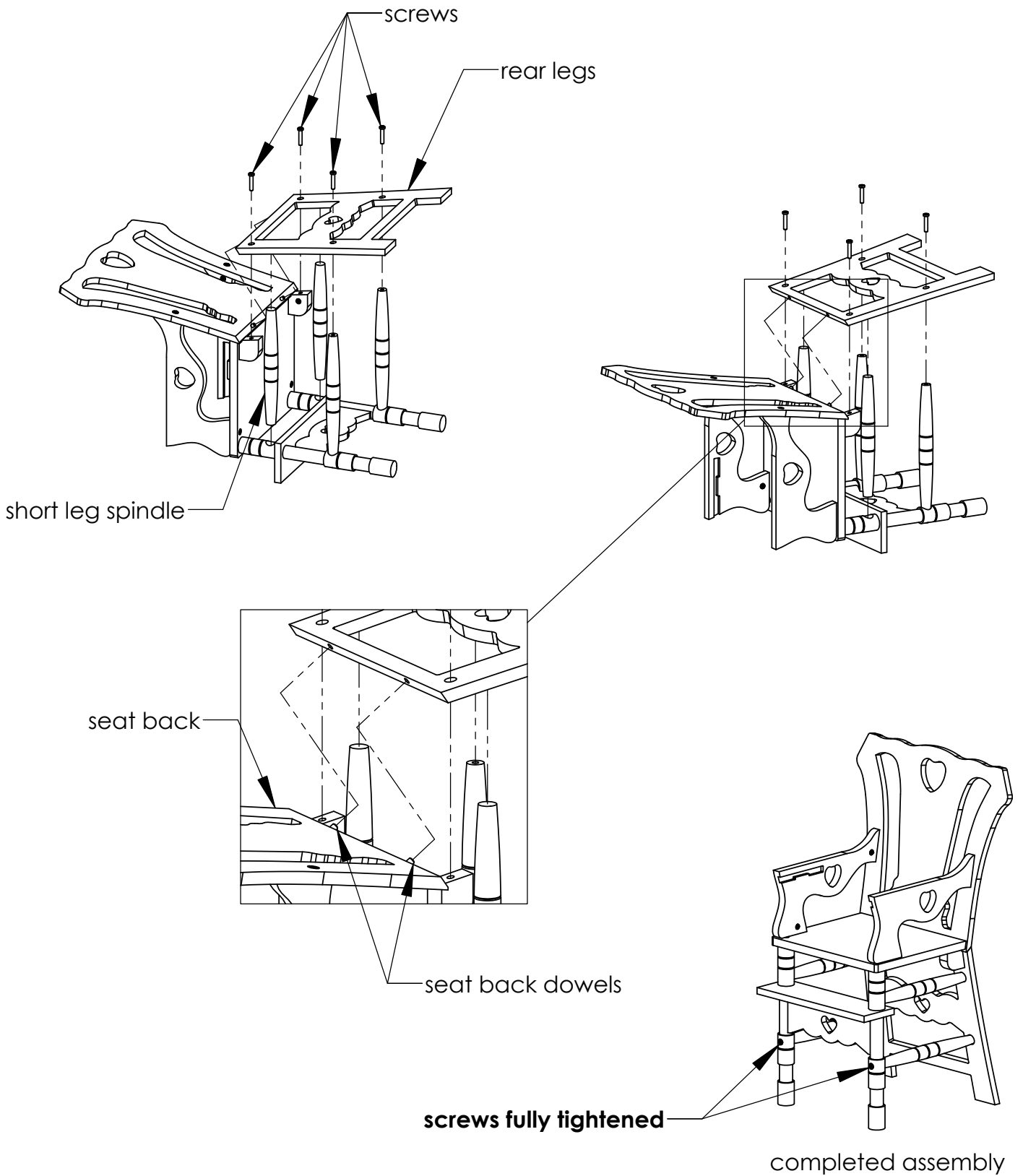


completed assembly

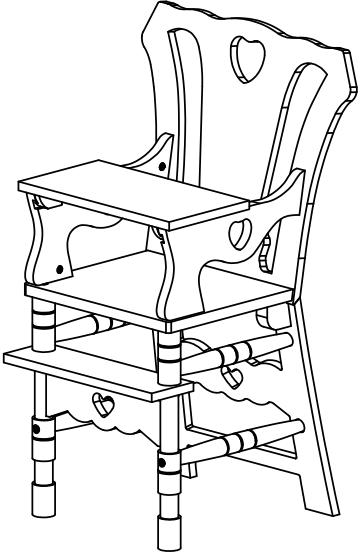
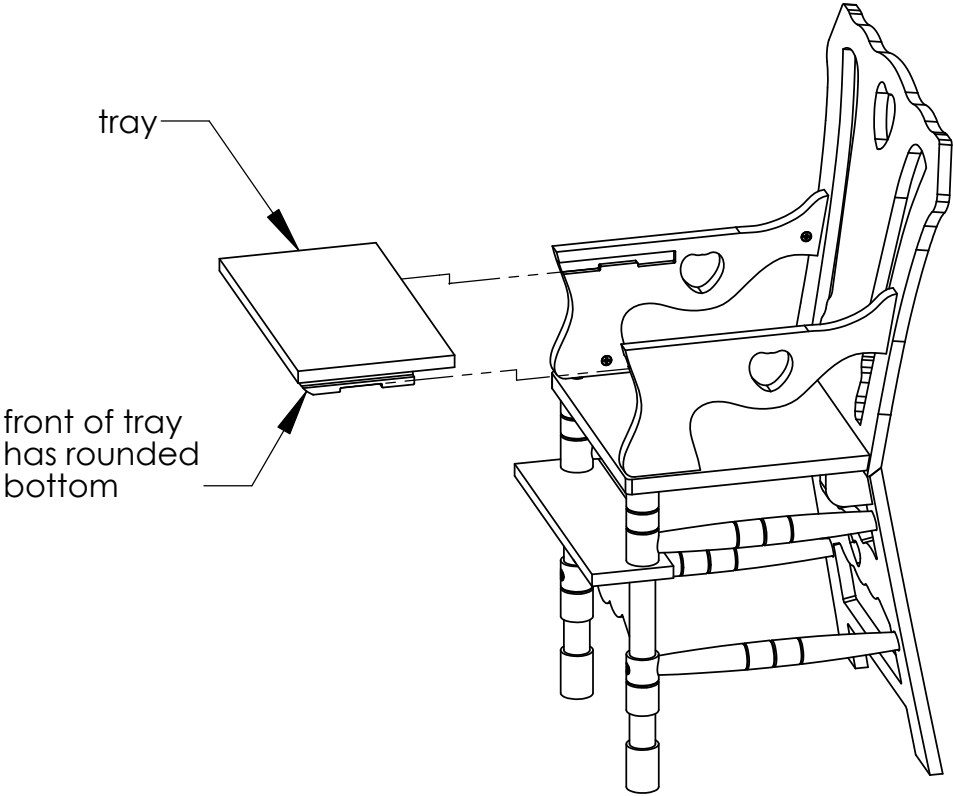
Step 4: Attach the seat back to the assembly by aligning the dowels on each arm rest with the holes in the seat back. At the same time, insert the dowels in the back of the seat with the holes near the bottom edge of the seat back. With all 4 dowel inserted, secure the seat back with two screws, one into each arm rest. Fully tighten each screw with the Allen wrench.



Step 5: Insert the two short leg spindles into the holes in the front legs. Attach the rear legs to the assembly by inserting the two dowels on the seat back into the holes at the top of the rear legs. Carefully align the four loose spindles with the large holes on the lower part of the rear legs. Secure the assembly by inserting four screws through the back of the rear legs. Fully tighten all four screws with the Allen wrench. Also, **fully tighten** the two screws securing the long spindles to the front legs.



Step 6: Attach the tray by sliding it into the slots on the inside surfaces of each arm rest.



completed assembly